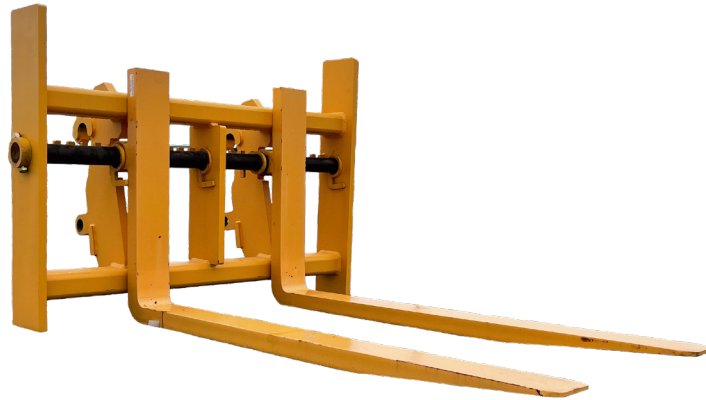




ADJUSTABLE FORKS FOR WHEEL LOADERS



STANDARD PALLET HANDLING & HEAVY SERVICE

VERSATILITY:

- ONE set of forks to handle all your material handling needs.
- Handle basic pallets, containers, implement equipment, pipe & other materials.
- EASY ADJUSTMENT with integrated SAS™ Ratchet Rail* to position forks for best versatility needed for many worksite applications.
- Provide the proper balance for wide loads. Fork spacing from 2" to 260" available.
- PRECISION FABRICATED direct pin mounting or quick attach bracket mount available for any make or model of machine & coupler type.

ENGINEERED & BUILT TOUGH FOR YOUR SERVICE REQUIREMENTS:

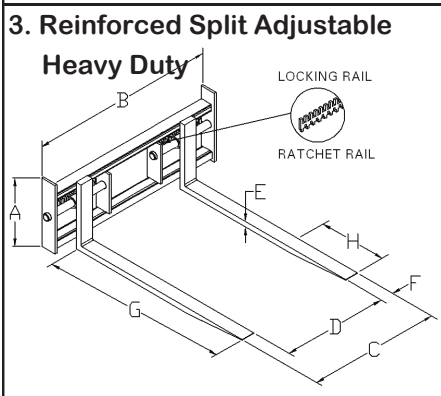
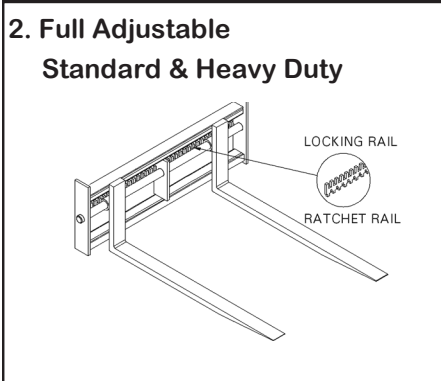
- 65% MORE WELD is applied to SAS™ shaft mounted forks than traditional hook mounted forks, providing more durability.
- HEAVY LOWER IMPACT plate structure for long term durability, available on heavy duty model.
- SUBSTANTIALLY INCREASED BLADE LIFE. 100% of blade failure due to heel lock weldment stress is eliminated because SAS Heavy Duty Adjustable Forks use top swing lock forks which reduce fork elbow stress as compared to traditional heel locks.
- Breakout force capable forks can be engineered by special request.

SAS FORKS attachments are trusted to handle over 12 Million lifts annually!

BEST SUITED FOR:

- Any size wheel loader or backhoe. Pin or quick coupler mounting.

ADJUSTABLE FORKS FOR WHEEL LOADERS



Item	Standards					Custom
	1	2-std	2-w	2-hd	3-w	
CARRIAGE STYLE #	1	2-std	2-w	2-hd	3-w	
Typical Machine Weight(lb)	<23K	<35K	<35K	>35K	>35K	>70k _____
Carriage Max Load @2' (lb)	15K	30K	30K	80K	80K	_____
ITA Rail Class IV	yes	no	no	no	no	
Shaft Mount	no	3"	3"	3.5"	4"	_____
A- Carriage Back Height	25"	48"	48"	48"	48"	<120" _____
B- Carriage Width	72"	63.5"	83.5"	99.5"	123.5"	<264" _____
Overall Width	73"	66.7"	86.7"	102.7"	126.7"	_____
C-Max. Fork Spacing	70"	60"	80"	96"	120"	<260" _____
D-Minimum Fork Spacing	2"	2"	2"	2"	24"	<250" _____
FORGED SOLID STEEL FORKS						
E-Blade Thickness	2"	2.5"	2.5"	3"	3.5"	<4" _____
F-Blade Width	6"	6"	6"	8"	8"	<10" _____
G-Blade Length	84"	60"	72"	72"	72"	96,144,168 _____
Blade Back Height	33"	40"	40"	40"	40"	_____
Blade Capacity @2'L/C(lb)	12K	21K	21K	38K	54K	
H-Taper Length: Typical	35%	35%	35%	35%	35%	
Full taper	no	no	no	no	no	yes / no _____
Special tip or taper?	no	no	no	no	no	yes / no _____

Contact:

SAS Forks

133 Center Drive Hwy 54 - PO Box 260

Luxemburg, WI 54217-0260 U.S.A.

Phone: 877-727-3675 Fax: 920-845-2309

Email: sales@sasforks.com

Website: www.sas-rail.com

0-AM BWQ#

CAPACITY CONSIDERATIONS

Load

Max Load desired? _____ lb. □ kg. @ _____ Center

What are you lifting? _____

Max load size Ht. _____ Width _____ Depth _____

Will you be prying with the forks? □ Yes. □ No

TOOL OR PALLET POCKET RESTRICTIONS

Pocket Spacing: Outside to outside _____"



SCAN QR CODE FOR MORE INFORMATION

